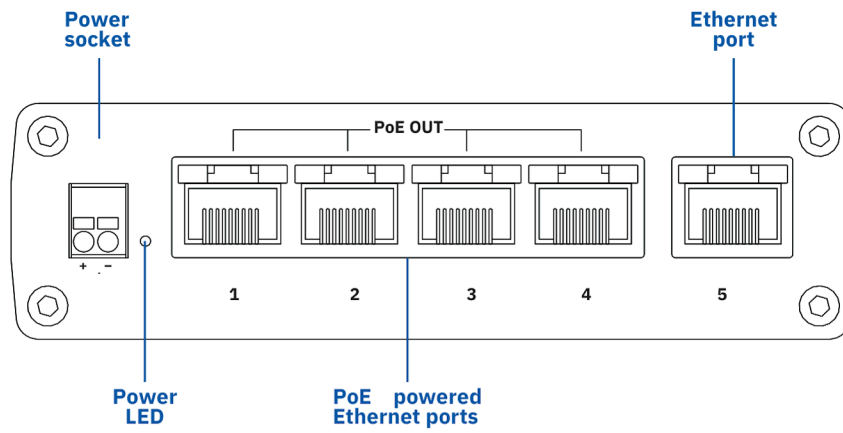


# TSW101

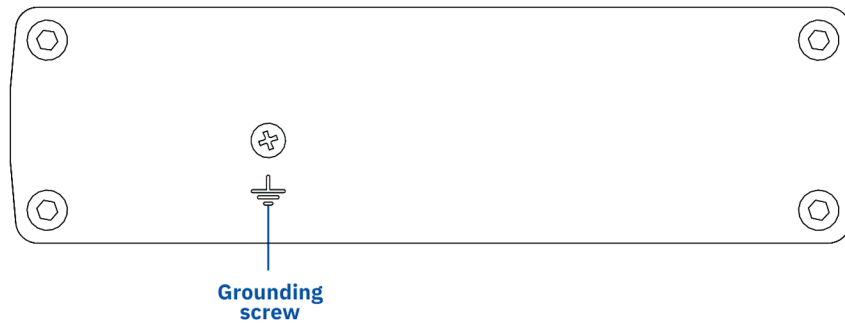


# HARDWARE

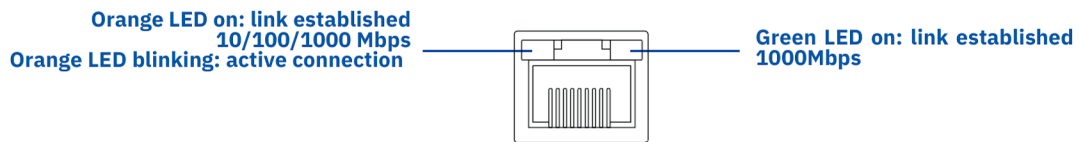
## FRONT VIEW



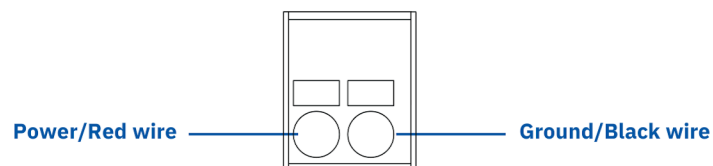
## BACK VIEW



## RJ45 LED MEANING



## POWER SOCKET PINOUT



## FEATURES

### ETHERNET

LAN	5 x ETH ports, 10/100/1000 Mbps, supports auto MDI/MDIX crossover
IEEE 802.3 series standards	802.3i, 802.3u, 802.3ab, 802.3x, 802.3az

### POE

PoE ports	Port 1- 4
PoE standards	802.3af and 802.3at
PoE Max Power per Port (at PSE)	30 W
Total PoE Power Budget (at PSE)	60 W
Maximum Ethernet cable length	100 m

### PERFORMANCE SPECIFICATIONS

Bandwidth (Non-blocking)	10 Gbps
Packer buffer	128 KB
MAC address table size	2K entries
Jumbo frame support	9216 bytes

### POWER

Connector	2-pin industrial DC power socket
Input voltage range	9 – 30 VDC
PoE-out input voltage range	9 – 30 VDC
Power consumption	Idle: 0.64 W / Max: 2.31 W / PoE Max: 60 W

### PHYSICAL INTERFACES

Ethernet	5 x RJ45 ports, 10/100/1000 Mbps
Status LEDs	1 x Power LED, 10 x LAN status LEDs
Power	1 x 2-pin industrial DC power socket
Other	1 x Grounding screw

### PHYSICAL SPECIFICATION

Casing material	Aluminum housing
Dimensions (W x H x D)	115 x 32 x 95 mm
Weight	384 g
Mounting options	DIN rail or wall mounting (additional kit needed), flat surface placement

### OPERATING ENVIRONMENT

Operating temperature	-40 °C to 75 °C
Operating humidity	10% to 90% non-condensing
Ingress Protection Rating	IP30

### REGULATORY & TYPE APPROVALS

Regulatory	CE/RED, UKCA, CB, EAC, RoHS, REACH, ANRT, RCM, GITEKI, FCC, IC, E-mark
------------	--

### SAFETY

Standards	EN IEC 62368-1:2020+A11:2020
-----------	------------------------------

## WHAT'S IN THE BOX?

### STANDARD PACKAGE CONTAINS

- TSW101
- QSG (Quick Start Guide)
- Packaging box



## STANDARD ORDER CODES

PRODUCT CODE	HS CODE	HTS CODE	PACKAGE CONTAINS
TSW101 000000	851762	8517.62.00	Standard package

For more information on all available packaging options – please contact us directly.

# TSW101 SPATIAL MEASUREMENTS & WEIGHT

## MAIN MEASUREMENTS

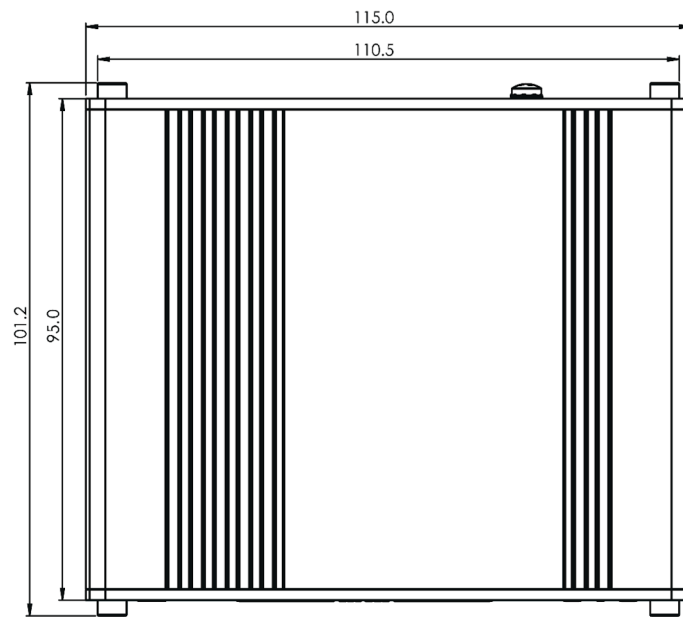
W x H x D dimensions for TSW101:

Device housing: 115 x 32 x 95 mm

Box: 173 x 71 x 148 mm

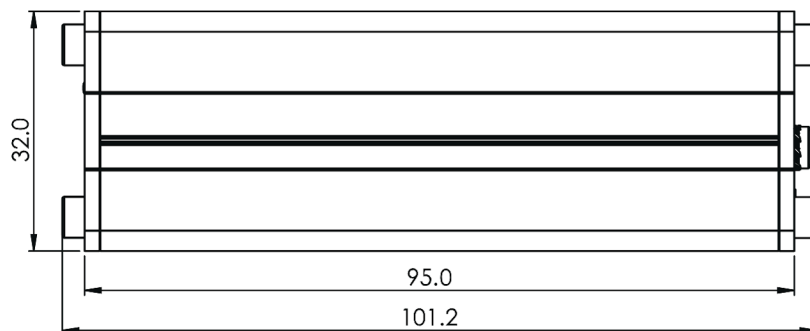
## TOP VIEW

The figure below depicts the measurements of TSW101 and its components as seen from the top:



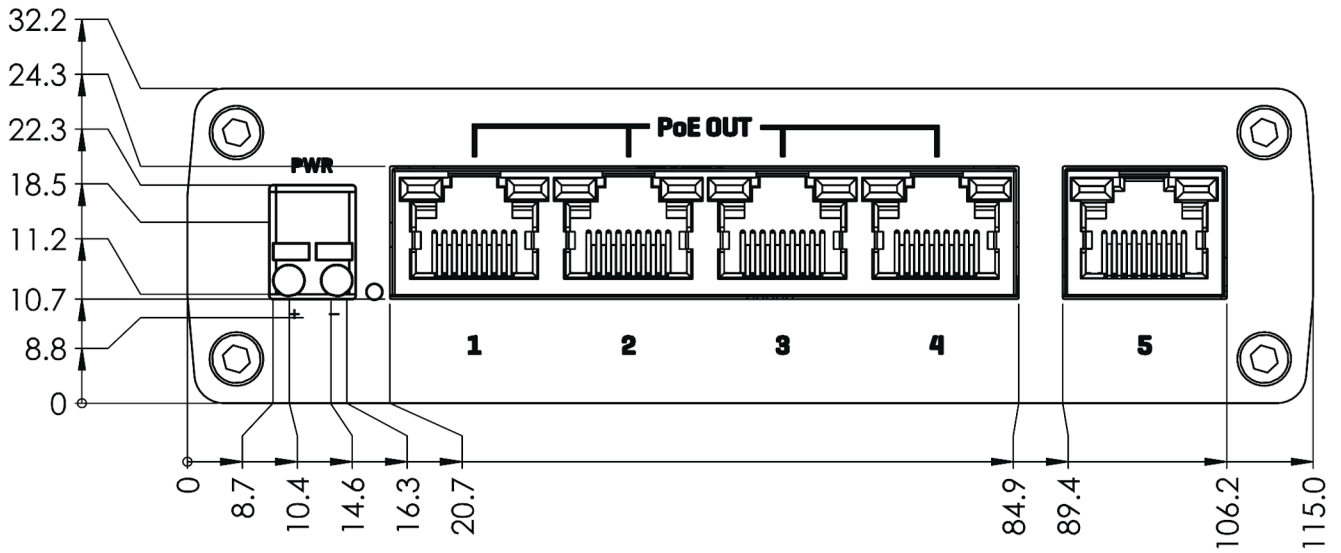
## RIGHT VIEW

The figure below depicts the measurements of TSW101 and its components as seen from the right side:



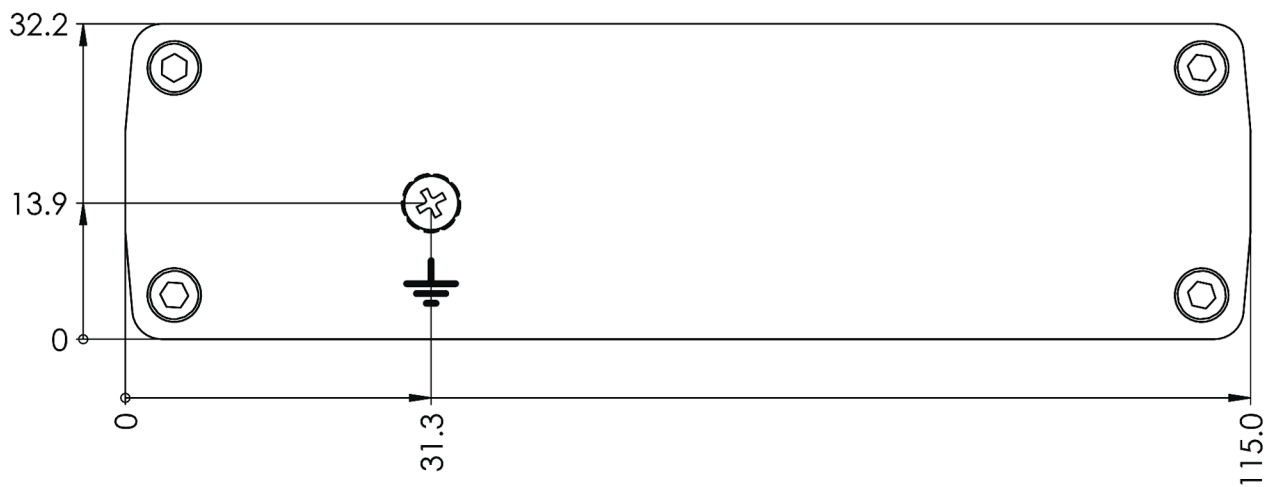
**FRONT VIEW**

The figure below depicts the measurements of TSW101 and its components as seen from the front panel side:



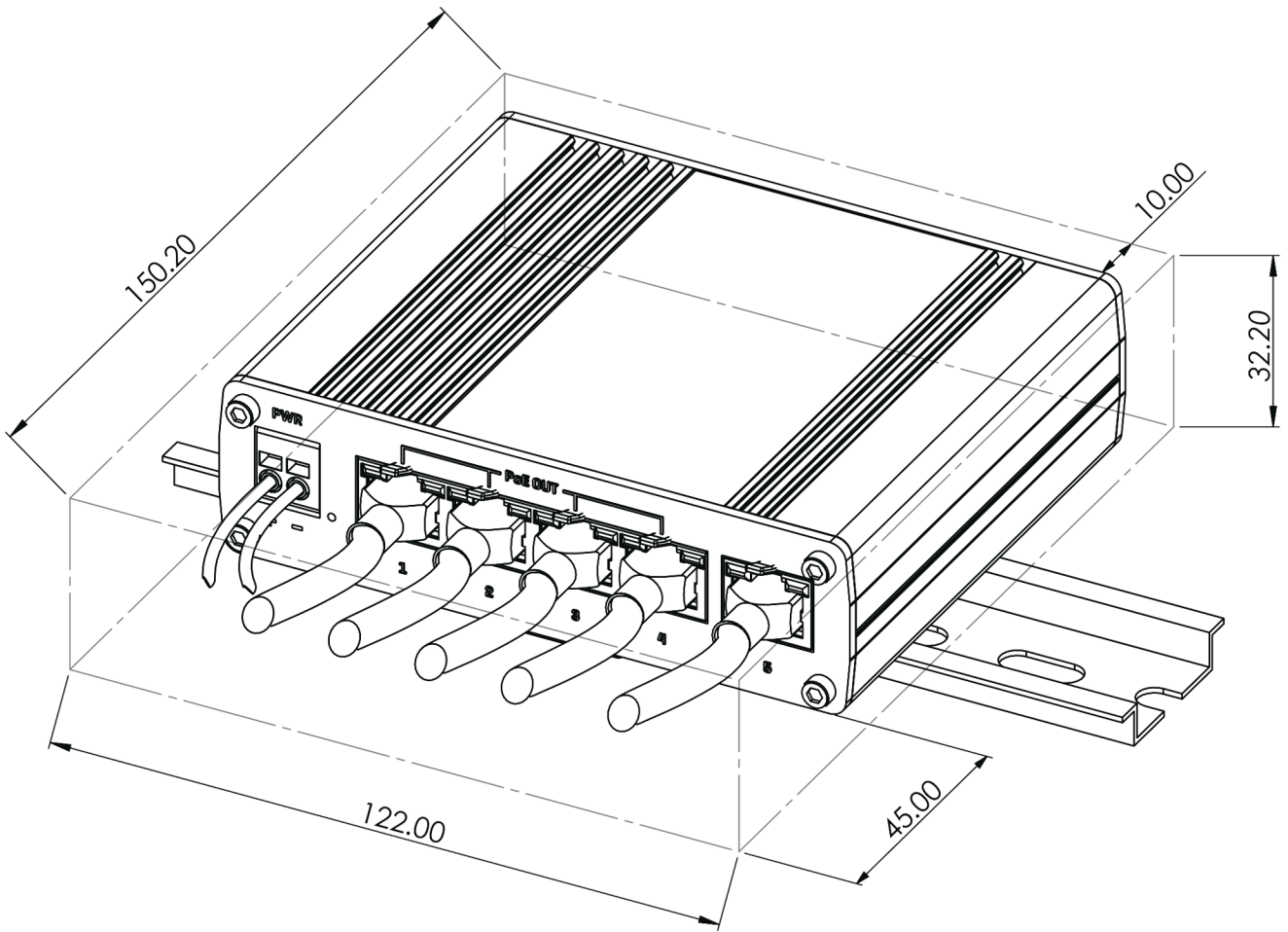
**REAR VIEW**

The figure below depicts the measurements of TSW101 and its components as seen from the back panel side:



### MOUNTING SPACE REQUIREMENTS

The figure below depicts an approximation of the device's dimensions when cables and antennas are attached:



## DIN RAIL

The scheme below depicts protrusion measurements of an attached DIN Rail:

