

TPM-3617P

Arestech

IP66/69K Protected 17" Stainless Steel Industrial Monitor
with P-Cap Touchscreen



Features

- IP66/69K Protected Stainless Steel 316 Flat Panel Design
- 17" LCD, Resolution 1280 x 1024
- 12 ~ 24 V DC power input (M12 Connector)
- VGA and USB (M12 Connector); HDMI port (option)
- VESA and Yoke mounting

Applications

- Food & Beverage Processing Industrial
- Pharmaceutical and Biopharmaceutical Equipment
- Embedded HMI Display System
- Factory Manufacturing Automation
- Chemical, Gas & Oil Critical Environment

→ Packing List

| Description |
|---------------|
| 1 x TPM-3617P |

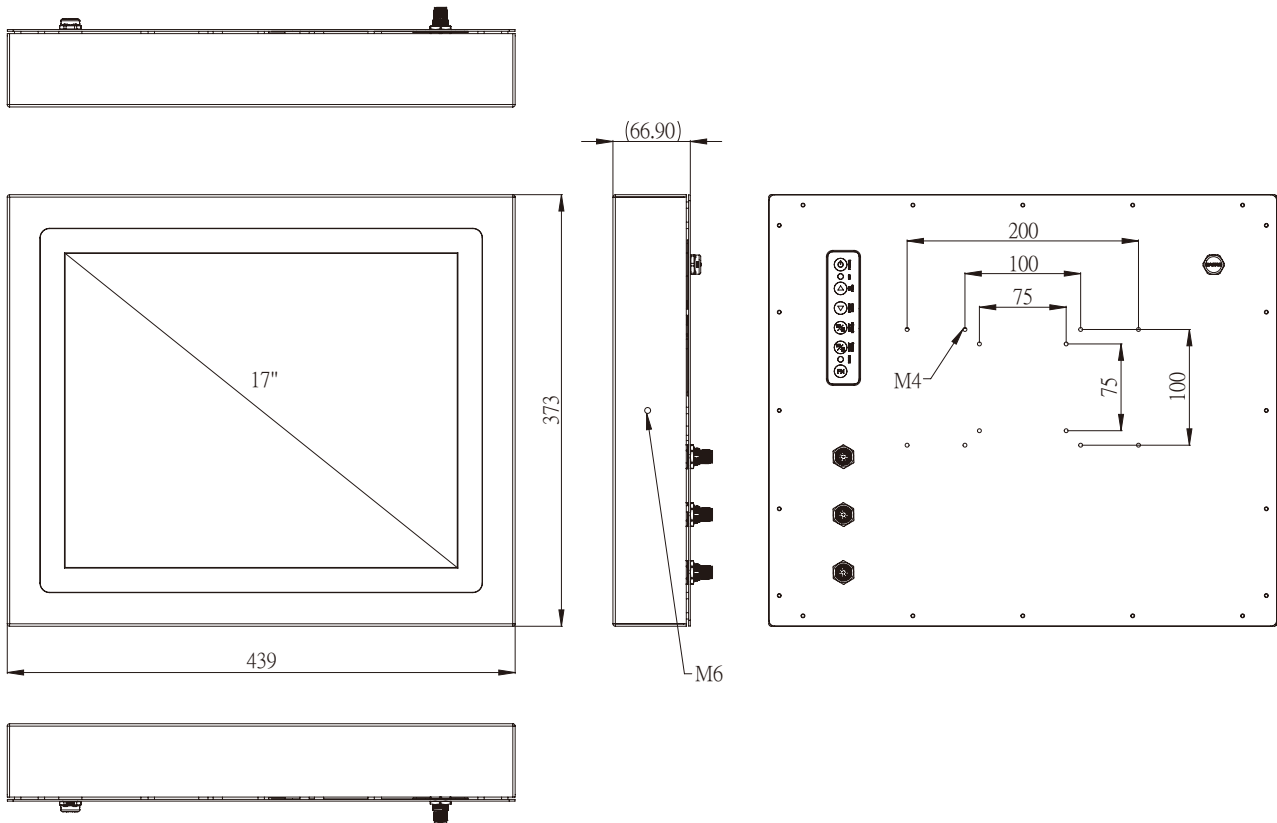
→ Optional Items

| Part No. | Description |
|---------------|--|
| APW-60M12V-01 | 12V, 60W, 5A, 5-pin M12 Connector (US) |
| APW-60M12V-02 | 12V, 60W, 5A, 5-pin M12 Connector (EU) |
| AKT-USB2M12 | M12 Connector to USB Cable, 2m |
| AKT-VGA2M12-M | M12 Connector to DB15 Male Cable, 2m |
| ACS-100-STD | VESA Table Stand |
| ACS-12017-STD | 17" Monitor Yoke Mount Kits |

→ Ordering Information

| Part No. | Description |
|--------------|--|
| TPM-3617P-A1 | 17" XSGA, Full System IP66 Stainless Steel Industrial Touch Monitor, Flat Panel, Projected Capacitive Touch, USB, VGA, 12~24V DC input, M12 Connectors |

→ Dimensions



→ Specifications

| Model | | TPM-3617P-A1 |
|---------------|-----------------------------|--|
| Display | Panel Size | 17" LCD Panel |
| | Resolution | 1280 x 1024 (SXGA) |
| | Viewing Angle | 85 x 85 (H), 80 x 85 (V) |
| | Brightness | 350 (cd/m ²) |
| | Color Support | 16.7 M |
| | Contrast Ratio | 1000:1 |
| | Response Time | 30 (msec) |
| Touchscreen | Type | Projected Capacitive Touch |
| | Surface Hardness | 7 Mohs |
| | Durability | - |
| | Transparency | 90% (±3%) |
| I/O Interface | Input Interface | 1 VGA (M12 Connector), 1 HDMI (IP67 Waterproof Connector, Option) |
| | Touch Interface | 1 USB, M12 Connector |
| OSD Control | OSD Function Key | 1 RS-232, M12 Connector Remote OSD control (Option) 5 Keys: Menu, Up, Down, Auto Adjust, Monitor Power on/off |
| Power | Power Input | 12-24 V DC power input, single power source |
| | Power Connector | M12 connector |
| | Power Consumption (Typical) | 22 W |
| Environment | Operating Temperature | -30~70° C (-22~158° F) |
| | Storage Temperature | -30~70° C (-22~158° F) |
| | Humidity | 5~95% @ 40° C, Non-condensing |
| | Vibration | 5-500 Hz, 0.026 G ² /Hz, 2.16 Grms, X, Y, Z, 1 hour per axis |
| General | Ingress Protection | Full System IP66 Protection , Stainless Steel 316 |
| | Dimensions (W x H x D) | 439 x 373 x 66.90 mm (17.28" x 14.68" x 2.63") |
| | Weight | 7.71 kg (17.0 lb) |
| | Operating System | Windows 7/8.1/10, WES7, WE8S, Linux Fedora, Ubuntu |