

Industrial 10.4" LED Projected Capacitive Multi-touch Display



Features

- 10.4" LED SVGA LCD Panel up to 800 x 600 Resolution
- 5-wire Resistive / Projected Capacitive Touch Technology
- 12-24 V DC Power Input Pluggable Terminal Block
- RS-232 and USB Touch Interfaces
- -20~60° C Operating Temperature
- Panel and VESA Mounting

Applications

- Embedded HMI Display System
- Factory / Manufacturing Automation
- ATM / Self-service / Kiosk Applications
- Vending / Ticketing Machines

→ Packing List

Description
1 x TPM-3210 / TPM-3110
1 x Driver CD
1 x USB Cable
1 x VGA Cable
1 x Power Adapter (AC-to-DC, 12 V @ 5 A, 60 W)
6 x Panel Mounting Screws

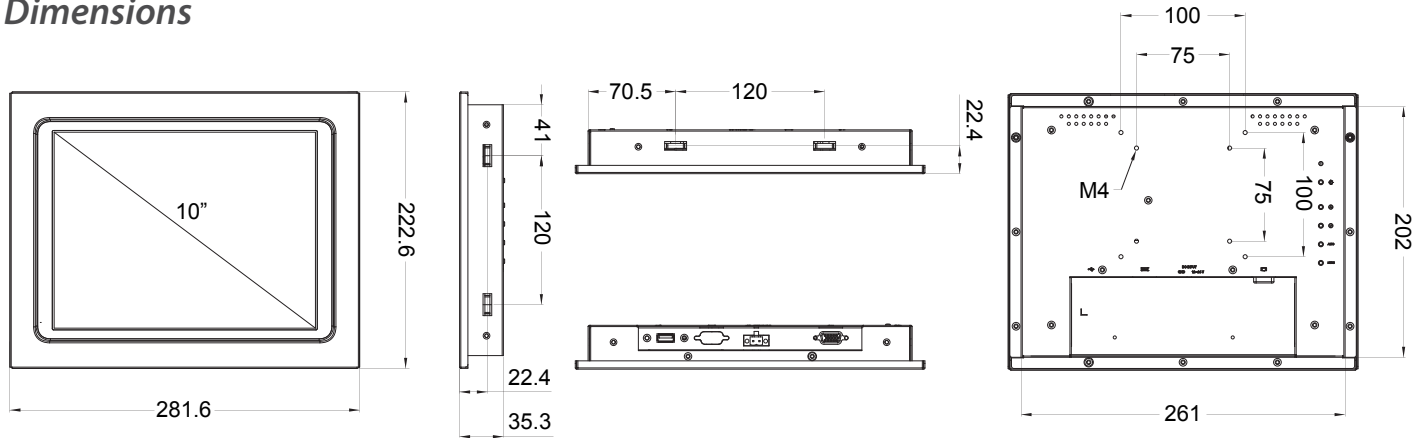
→ Optional Items

Part No.	Description
ACS-PS-US	Power Cable 3-pin, 180 cm, USA Type
ACS-PS-EU	Power Cable 3-pin, 180 cm, Euro Type
ACS-PS-CN	Power Cable 3-pin, 180 cm, China Type
ACS-100-STD	LCD VESA Table Stand

→ Ordering Information

Part No.	Description
TPM-3210P-A1E	10.4" SVGA Industrial Ultra-slim Projected Capacitive Multi-touch Display
TPM-3210R-A1E	10.4" SVGA Industrial Ultra-slim Resistive Touch Display
TPM-3110R-A1E	10.4" SVGA Industrial Ultra-slim Resistive Touch Open Frame

→ Dimensions



→ Specifications

Model		TPM-3210P	TPM-3210R
Display	Panel Size	10.4" LED LCD Panel	
	Resolution	800 x 600 (SVGA)	
	Viewing Angle	80 x 80 (H), 60 x 70 (V)	
	Brightness	230 (cd/m ²)	
	Color Support	16.2 M / 262 K	
	Contrast Ratio	500:1	
	Response Time	35 [msec]	
Touchscreen	Type	Projected Capacitive	5-Wire Resistive
	Surface Hardness	7 Mohs	3 Mohs
	Durability	-	10 million touches
	Transparency	90%(±3%)	80% (±3%)
I/O Interface	Video Interface	1 VGA	
	Touch interface	Projected Capacitive (for USB only) / 5-Wire Resistive (for USB and RS-232)	
OSD Control	Function Key	5 Keys: Menu, Up, Down, Auto Adjust, Monitor Power on/off Menu Functions: Brightness, Contrast, Color Adjust, Color Temp, Auto Color, Language	
Power	Power Connector	Phoenix Terminal Block, 2 pins	
	Power Input	12~24 V DC input, Single Power Source	
	Power Consumption (Typical)	3.5 W	
Environment	Operating Temperature	-20~60° C (-4~140° F)	
	Storage Temperature	-30~70° C (-22~158° F)	
	Humidity	5~95% @ 40° C, non-condensing	
	Vibration	5-500 Hz, 0.026 G ² /Hz, 2.16 Grms, X, Y, Z, 1 hour per axis	
General	Ingress Protection	IP54	
	Dimensions (W x H x D)	281.6 x 222.6 x 35.3 mm (11.08" x 8.76" x 1.38")	
	Weight	1.8 kg (3.96 lb)	
	Operating System	Windows CE/XP/7/8.1/10, WES7, WE8S, Linux Fedora, Ubuntu	

Industrial 12.1" LED Projected Capacitive Multi-touch Display



Features

- 12.1" LED LCD Panel up to 1024 x 768 Resolution
- 5-wire Resistive / Projected Capacitive Touch Technology
- 12-24 V DC Power Input with Connector
- Combined with RS-232 and USB Touch Interfaces
- -20~60° C Operating Temperature
- Panel and VESA Mounting

Applications

- Embedded HMI Display System
- Factory / Manufacturing Automation
- ATM / Self-service / Kiosk Applications
- Vending Machine / Ticketing Machines

→ Packing List

Description
1 x TPM-3212 / TPM-3112
1 x Driver CD
1 x USB Cable
1 x VGA Cable
1 x Power Adapter (AC-to-DC, 12 V @ 5 A, 60 W)
6 x Panel Mounting Screws

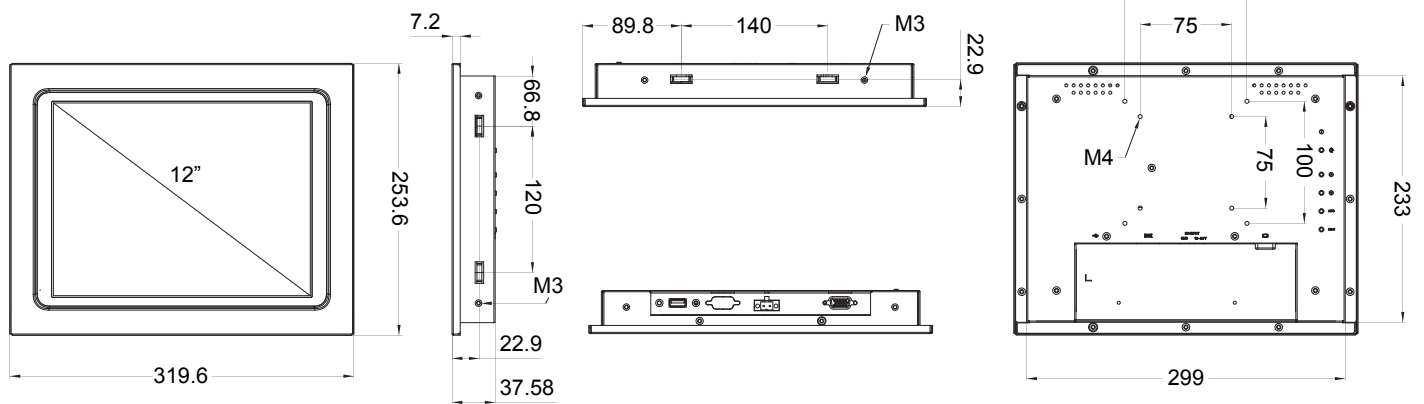
→ Optional Items

Part No.	Description
ACS-PS-US	Power Cable 3-pin, 180 cm, USA Type
ACS-PS-EU	Power Cable 3-pin, 180 cm, Euro Type
ACS-PS-CN	Power Cable 3-pin, 180 cm, China Type
ACS-100-STD	LCD VESA Table Stand

→ Ordering Information

Part No.	Description
TPM-3212P-A2	12.1" XGA Industrial Ultra-slim Projected Capacitive Touch Display
TPM-3212R-A2	12.1" XGA Industrial Ultra-slim Resistive Touch Display
TPM-3112R-A2	12.1" XGA Industrial Ultra-slim Resistive Touch Open Frame

→ Dimensions



→ Specifications

Model		TPM-3212P	TPM-3212R
Display	Panel Size	12.1" LED LCD Panel	
	Resolution	1024 x 768 (XGA)	
	Viewing Angle	80 x 80 (H) x 65 x 75 (V)	
	Brightness	450 (cd/m ²)	
	Color Support	16.2 M / 262 K colors	
	Contrast Ratio	700:1	
	Response Time	35 (msec)	
Touchscreen	Type	Projected Capacitive	5-Wire Resistive
	Surface Hardness	7 Mohs	3 Mohs
	Durability	-	10 million touches
	Transparency	90% (±3%)	80% (±3%)
I/O Interface	Video Interface	1 VGA	
	Touch interface	Projected Capacitive (for USB only) / 5-Wire Resistive (for USB and RS-232)	
OSD Control	Function Key	5 Keys: Menu, Up, Down, Auto Adjust, Monitor Power on/off Menu Functions: Brightness, Contrast, Color Adjust, Color Temp, Auto Color, Language	
Power	Power Connector	Phoenix Terminal Block, 2 pins	
	Power Input	12-24 V DC power input, Single Power Source	
	Power Consumption (Typical)	6.8 W	
Environment	Operating Temperature	-20~60° C (-4~140° F)	
	Storage Temperature	-30~70° C (-22~158° F)	
	Humidity	5~95% @ 40° C, non-condensing	
	Vibration	5-500 Hz, 0.026 G ² /Hz, 2.16 Grms, X, Y, Z, 1 hour per axis	
General	Ingress Protection	IP54	
	Dimensions (W x H x D)	319.6 x 253.6 x 36.8 mm (12.58" x 9.98" x 1.45")	
	Weight	2.63 kg (5.8 lb)	
	Operating System	Windows CE/XP/7/8.1/10, WES7, WE8S, Linux Fedora, Ubuntu	

Industrial 15" LED Projected Capacitive Multi-touch Display



Features

- 15" XGA LCD Panel up to 1024 x 768 Resolution
- 5-wire Resistive / Projected Capacitive Touch Technology
- 12-24 V DC Power Input with Terminal Block
- Combined with RS-232 and USB Touch Interfaces
- -20~60° C Operating Temperature
- Panel and VESA Mounting

Applications

- Embedded HMI Display System
- Factory / Manufacturing Automation
- ATM / Self-service / Kiosk Applications
- Vending Machine / Ticketing Machines

→ Packing List

Description
1 x TPM-3215 / TPM-3115
1 x Driver CD
1 x USB Cable
1 x VGA Cable
1 x Power Adapter (AC-to-DC, 12 V @ 5 A, 60 W)
6 x Panel Mounting Screws

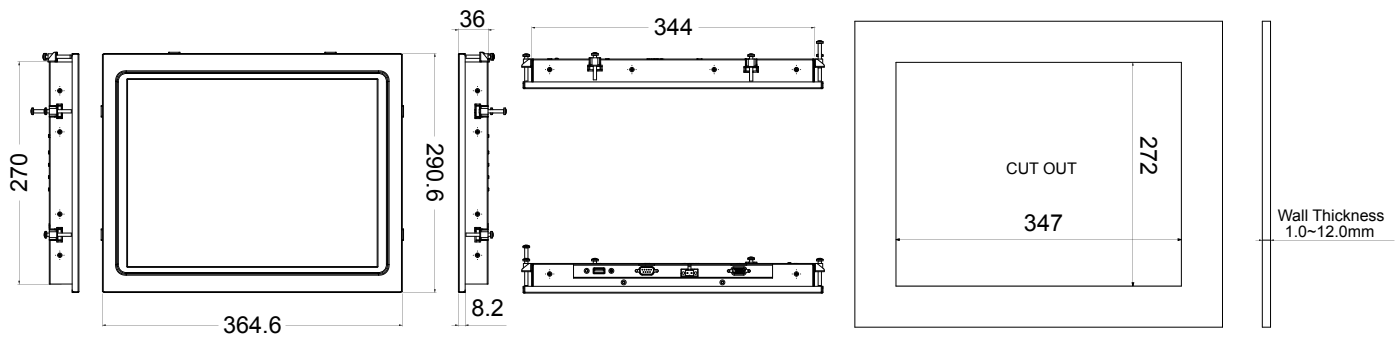
→ Optional Items

Part No.	Description
ACS-PS-US	Power Cable 3-pin, 180 cm, USA Type
ACS-PS-EU	Power Cable 3-pin, 180 cm, Euro Type
ACS-PS-CN	Power Cable 3-pin, 180 cm, China Type
ACS-110-STD	LCD VESA Table Stand

→ Ordering Information

Part No.	Description
TPM-3215P-A1E	15" XGA Industrial Ultra-slim Projected Capacitive Touch Display
TPM-3215R-A1E	15" XGA Industrial Ultra-slim Resistive Touch Display
TPM-3115R-A1E	15" XGA Industrial Ultra-slim Resistive Touch Open Frame

→ Dimensions



→ Specifications

Model		TPM-3215P	TPM-3215R
Display	Panel Size	15" LCD Panel	
	Resolution	1024 x 768 (XGA)	
	Viewing Angle	80 x 80 (H) x 80 x 80 (V)	
	Brightness	250 (cd/m ²)	
	Color Support	16.7 M	
	Contrast Ratio	600 : 1	
	Response Time	8 (msec)	
Touchscreen	Type	Projected Capacitive	5-Wire Resistive
	Surface Hardness	7 Mohs	3 Mohs
	Durability	-	10 million touches
	Transparency	90% (±3%)	80% (±3%)
I/O Interface	Video Interface	1 VGA	
	Touch Interface	Projected Capacitive (for USB only) / 5-Wire Resistive (for USB and RS-232)	
OSD Control	Function Key	5 Keys: Menu, Up, Down, Auto Adjust, Monitor Power on/off Menu Functions: Brightness, Contrast, Color Adjust, Color Temp, Auto Color, Language	
Power	Power Connector	Phoenix Terminal Block, 2 pins	
	Power Input	12-24 V DC power input, single power source	
	Power Consumption (Typical)	10.1 W	
Environment	Operating Temperature	0~50° C (32~122° F)	
	Storage Temperature	-30~70° C (-22~158° F)	
	Humidity	5~95% @ 40° C, Non-condensing	
	Vibration	5-500 Hz, 0.026 G ² /Hz, 2.16 Grms, X, Y, Z, 1 hour per axis	
General	Ingress Protection	IP54	
	Dimensions (W x H x D)	364.6 x 290.6 x 36 mm (14.35" x 11.44" x 1.41")	
	Weight	3.75 kg (8.27 lb)	3.70 kg (8.16lb)
	Operating System	Windows CE/XP/7/8.1/10, WES7, WE8S, Linux Fedora, Ubuntu	

Industrial 17" LED Projected Capacitive Multi-touch Display



Features

- 17" LED SXGA LCD Panel up to 1280 x 1024 Resolution
- 5-wire Resistive / Projected Capacitive Touch Technology
- 12 ~ 24 V DC Power Input Pluggable Terminal Block
- Combined with RS-232 and USB Touch Interfaces (ResistiveTouch only)
- -20~60° C Operating Temperature
- Panel and VESA Mounting

Applications

- Embedded HMI Display System
- Factory / Manufacturing Automation
- ATM / Self-service / Kiosk Applications
- Vending Machine / Ticketing Machines

➔ Packing List

Description
1 x TPM-3217 / TPM-3117
1 x Driver CD (Resistive Touch only)
1 x USB Cable
1 x VGA Cable
1 x Power Adapter (AC-to-DC, 12 V @ 5 A, 60 W)
6 x Panel Mounting Screws

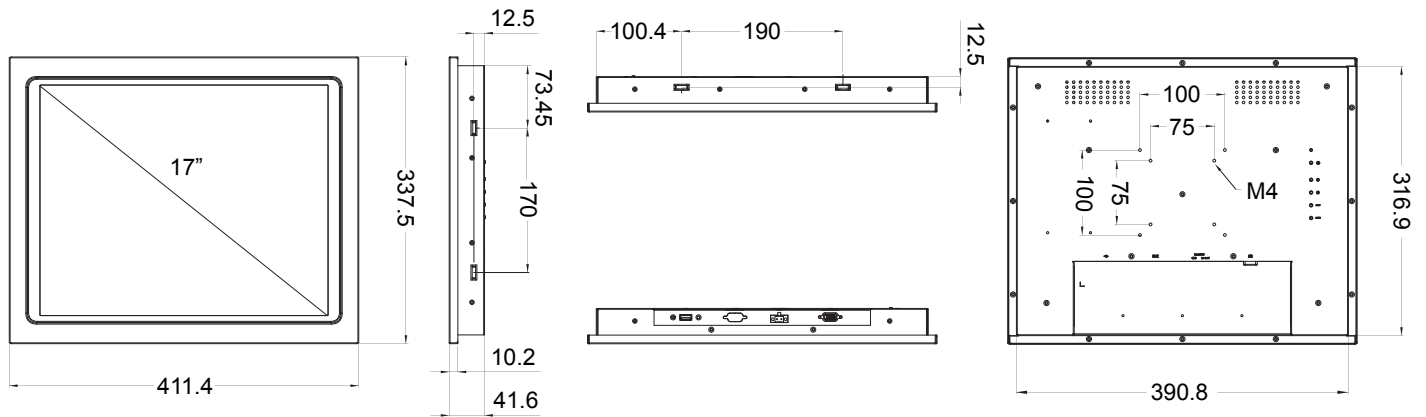
➔ Optional Items

Part No.	Description
ACS-PS-US	Power Cable 3-pin, 180 cm, USA Type
ACS-PS-EU	Power Cable 3-pin, 180 cm, Euro Type
ACS-PS-CN	Power Cable 3-pin, 180 cm, China Type
ACS-100-STD	LCD VESA Table Stand

➔ Ordering Information

Part No.	Description
TPM-3217P-A1E	17" SXGA Industrial Ultra-slim Projected Capacitive Touch Display
TPM-3217R-A1E	17" SXGA Industrial Ultra-slim Resistive Touch Display
TPM-3117R-A1E	17" SXGA Industrial Ultra-slim Resistive Touch Open Frame

→ Dimensions



→ Specifications

Model		TPM-3217P	TPM-3217R
Display	Panel Size	17" LED LCD Panel	
	Resolution	1280 x 1024 (SXGA)	
	Viewing Angle	85 x 85 (H), 80 x 85 (V)	
	Brightness	350 (cd/m ²)	
	Color Support	16.7 M	
	Contrast Ratio	1000:1	
	Response Time	30 (msec)	
Touchscreen	Type	Projected Capacitive	5-Wire Resistive
	Surface Hardness	7 Mohs	3 Mohs
	Durability	-	10 million touches
	Transparency	90% (±3%)	80% (±3%)
I/O Interface	Video Interface	1 VGA	
	Touch Interface	Projected Capacitive (for USB only) / 5-Wire Resistive (for USB and RS-232)	
OSD Control	Function Key	5 Keys: Menu, Up, Down, Auto Adjust, Monitor Power on/off Menu Functions: Brightness, Contrast, Color Adjust, Color Temp, Auto Color, Language	
Power	Power Connector	Pheonix Terminal Block, 2 pins	
	Power Input	12-24 V DC power input, single power source	
	Power Consumption (Typical)	22 W	
Environment	Operating Temperature	-20~60° C (-4~140° F)	
	Storage Temperature	-30~70° C (-22~158° F)	
	Humidity	5~95% @ 40° C, Non-condensing	
	Vibration	5-500 Hz, 0.026 G ² /Hz, 2.16 Grms, X, Y, Z, 1 hour per axis	
General	Ingress Protection	IP54	
	Dimensions (W x H x D)	411.4 x 337.5 x 40.0 mm (16.19" x 13.28" x 1.57")	
	Weight	4.82 kg (10.6 lb)	
	Operating System	Windows CE/XP/7/8.1/10, WES7, WE8S, Linux Fedora, Ubuntu	

TPM-3218

Industrial 18.5" LED multi-touch monitor, supporting Windows 7 gestures plus VGA/DVI/HDMI interfaces



Features

- 18.5" LED LCD Panel up to 1366 x 768 (FHD) Resolution
- LED Backlight Provides 20~30% Power Savings
- Projected Capacitive Multi-touch Screen
- Windows 7 / 8 / 10 Gestures Support
- 7 Mohs Screen Hardness
- 90% Transparency Provides Clear Image

Applications

- Industrial HMI Display Systems
- ATM / Self-service / Kiosk Applications
- Vending / Ticketing Machines
- Point-of-information Terminals
- Factory / Machine Automation

→ Packing List

Description
1 x TPM-3218
1 x USB Cable
1 x VGA Cable
1 x Power Adapter (AC-to-DC 12 V @ 3.3 A, 40 W)

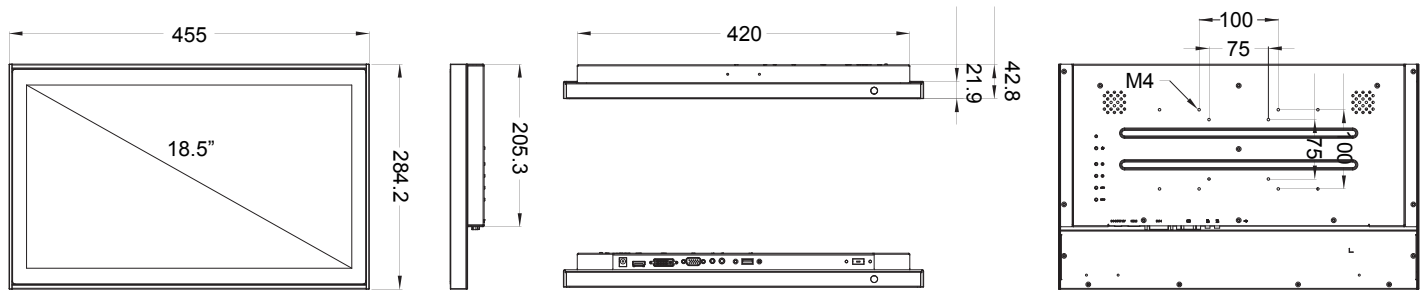
→ Optional Items

Part No.	Description
ACS-PS-US	Power Cable 3-pin, 180 cm, USA Type
ACS-PS-EU	Power Cable 3-pin, 180 cm, Euro Type
ACS-PS-CN	Power Cable 3-pin, 180 cm, China Type
ACS-100-STD	LCD VESA Table Stand

→ Ordering Information

Part No.	Description
TPM-3218P-A2	18.5" HD Industrial LED Projected Capacitive Multi-touch Display

→ Dimensions



→ Specifications

Model		TPM-3218
Display	Panel Size	18.5" LED LCD Panel
	Resolution	1366 x 768 (HD)
	Viewing Angle	85 x 85 (H), 80 x 80 (V)
	Brightness	250 (cd/m ²)
	Color Support	16.7 M
	Contrast Ratio	1000:1
	Response Time	5 (msec)
Touchscreen	Type	Projected Capacitive multi-touch screen
	Surface Hardness	7 Mohs
	Transparency	90% (±3%)
I/O Interface	Video Interface	1 VGA, 1 DVI-D, 1 HDMI
	Touch Interface	1 USB
	Speaker Out	Audio Jack, with 2 W Amplifier
OSD Control	Function Key	5 Keys: Menu, Up, Down, Auto Adjust, Monitor Power on/off Menu Functions: Brightness, Contrast, Color Adjust, Color Temp, Auto Color, Language
Power	Power Connector	DC Jack
	Power Input	12 V DC power input
	Power Consumption (Typical)	9 W
	Power Adapter	40 W power adapter, with AC 100-240 V input and DC +12 V @ 5A MAX output
Environment	Operating Temperature	0~50° C (32~122° F)
	Storage Temperature	-30~70° C (-22~158° F)
	Humidity	5~95% @ 40° C, Non-condensing
	Vibration	5-500 Hz, 0.026 G ² /Hz, 2.16 Grms, X, Y, Z, 1 hour per axis
General	Ingress Protection	IP54
	Dimensions (L x W x H)	455 x 284.2 x 42.8 mm (17.91" x 11.19" x 1.69")
	Weight	4.5 kg (9.9 lb)
	Operating System	Single-touch: Windows XP Multi-touch: Windows 7/8.1/10, WES7-P, WE8S

TPM-3221

Industrial 21.5" Full HD LED multi-touch monitor, supporting Windows 8 / Windows 7 gestures plus VGA/DVI/HDMI interfaces



Features

- 21.5" LED LCD Panel up to 1920 x 1080 (FHD) Resolution
- LED Backlight Provides 20~30% Power Savings
- Projected Capacitive Multi-touch Screen
- Windows 7 / 8 / 10 Gestures Support
- 7 Mohs Screen Hardness
- 90% Transparency Provides Clear Image

Applications

- Industrial HMI Display Systems
- ATM / Self-service / Kiosk Applications
- Vending / Ticketing Machines
- Point-of-information Terminals
- Factory / Machine Automation

→ Packing List

Description
1 x TPM-3221
1 x USB Cable
1 x VGA Cable
1 x Power Adapter (AC-to-DC 12 V @ 3.3 A, 40 W)

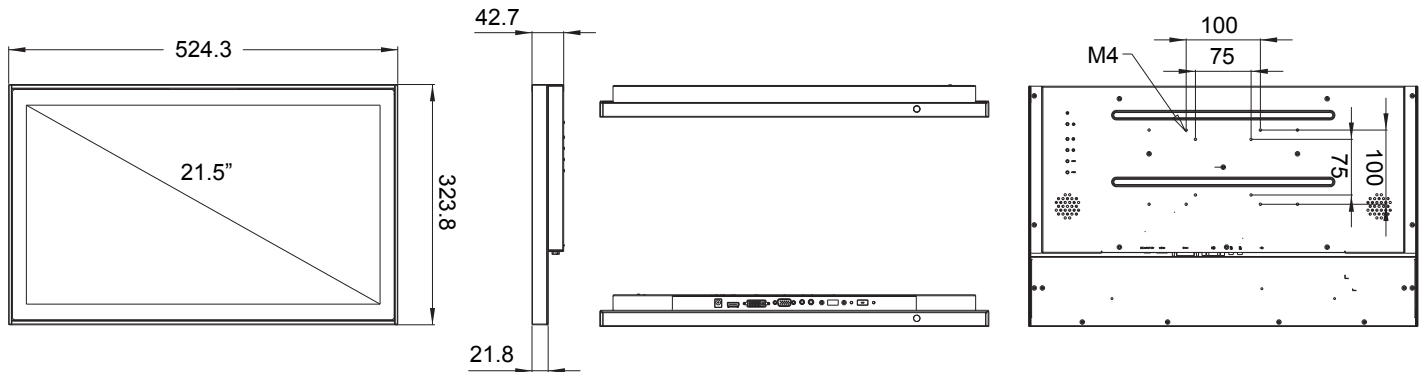
→ Optional Items

Part No.	Description
ACS-PS-US	Power Cable 3-pin, 180 cm, USA Type
ACS-PS-EU	Power Cable 3-pin, 180 cm, Euro Type
ACS-PS-CN	Power Cable 3-pin, 180 cm, China Type
ACS-100-STD	LCD VESA Table Stand

→ Ordering Information

Part No.	Description
TPM-3221P-A2	21.5" HD Industrial LED Projected Capacitive Touch Display

→ Dimensions



→ Specifications

Model		TPM-3221
Display	Panel Size	21.5" LED LCD Panel
	Resolution	1920 x 1080 (FHD)
	Viewing Angle	85 x 85 (H), 80 x 80 (V)
	Brightness	250 (cd/m ²)
	Color Support	16.7 M
	Contrast Ratio	1000:1
	Response Time	5 (msec)
Touchscreen	Type	Projected Capacitive multi-touch screen
	Surface Hardness	7 Mohs
	Transparency	90% (±3%)
I/O Interface	Video Interface	1 VGA, 1 DVI-D, 1 HDMI
	Touch interface	1 USB
	Speaker Out	Audio Jack, with 2 W Amplifier
OSD Control	Function Key	5 Keys: Menu, Up, Down, Auto Adjust, Monitor Power on/off Menu Functions: Brightness, Contrast, Color Adjust, Color Temp, Auto Color, Language
Power	Power Connector	DC Jack
	Power Input	12 V DC power input
	Power Consumption (Typical)	16 W
	Power Adapter	40 W power adapter, with AC 100 ~ 240 V input and DC +12 V @ 5A MAX output
Environment	Operating Temperature	0~50° C (32~122° F)
	Storage Temperature	-30~70° C (-22~158° F)
	Humidity	5~95% @ 40° C, Non-condensing
	Vibration	5-500 Hz, 0.026 G ² /Hz, 2.16 Grms, X, Y, Z, 1 hour per axis
General	Ingress Protection	IP54
	Dimensions (L x W x H)	524.3 x 323.8 x 42.7 mm (20.64" x 12.74" x 1.68")
	Weight	4.45 kg (9.79 lb)
	Operating System	Single-touch: Windows XP Multi-touch: Windows 7/8.1/10, WES7-P, WE8S

Industrial IP65 12.1" LED Multi-touch Stainless Display



Features

- IP65 Protected Stainless Flat Panel Design
- High Resolution 1024 x 768
- 4-point Multi-touch Display (Default: 2)
- 7 Mohs Screen Hardness

Applications

- CNC Machines
- Embedded HMI Display System
- Factory / Manufacturing Automation
- Vending / Ticketing Machines

→ Packing List

Description
1 x TPM-3312
1 x Driver CD
1 x USB Cable
1 x VGA Cable
1 x Power Adapter (AC-to-DC, 12 V @ 5 A, 60 W)
12 x Panel Mounting Screws

→ Optional Items

Part No.	Description
ACS-PS-US	Power Cable 3-pin, 180 cm, USA Type
ACS-PS-EU	Power Cable 3-pin, 180 cm, Euro Type
ACS-PS-CN	Power Cable 3-pin, 180 cm, China Type
ACS-100-STD	VESA Table Stand

→ Ordering Information

Part No.	Description
TPM-3312P-A1	12.1" XGA, IP65 Stainless Flat Panel, Projected Capacitive Multi-touch Display
TPM-3312R-A1	12.1" XGA, IP65 Stainless Flat Panel, Resistive Touch Display

